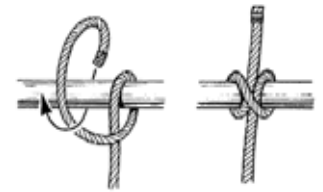
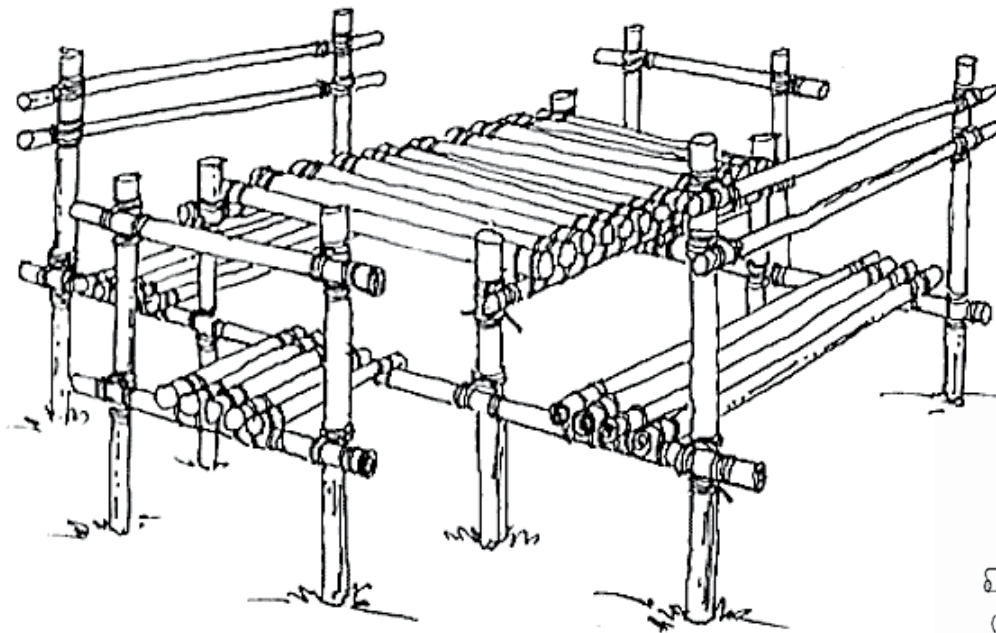




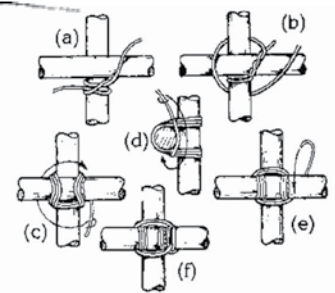
Program: Fire

Program section "Fire" focuses on extreme sports, traditional sports and crafts and mixed adventures.

28/10/2015



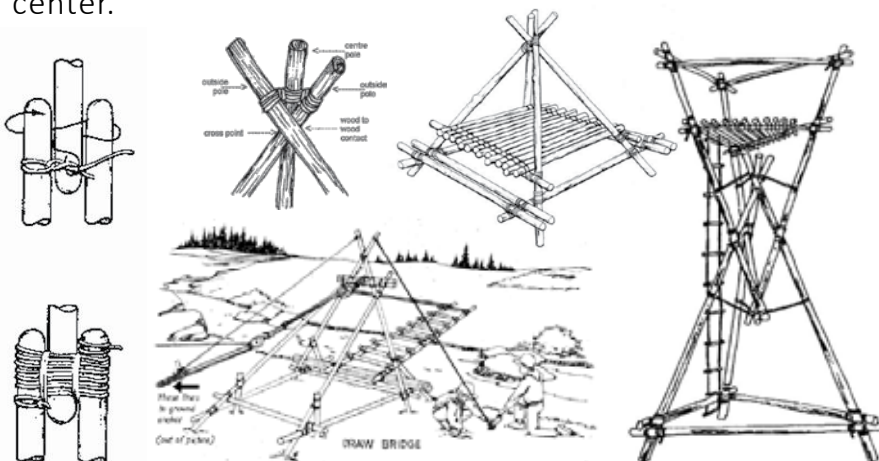
Clove Hitch



An essential part of camp-life, pioneering is the building art of scouts and guides. You can borrow poles at the center for free and use either your own ropes or buy some at the center. A great way to get the group involved is to prepare at home, practice small-scale (for example with chopsticks, pencils or even toothpicks) and then go full-size once you're at the center.

The activity is ...

- ... Free. But you can buy ropes.
- ... Available from May to August
- ... Run at the center
- ... Run by guests (self-guided)



About the activity:

Most poles are approx. 3-4 meters in length.

The supply of poles is limited. Please reserve poles when you book if you want to be sure to get some.

Please pay attention to safety when doing pioneering work.